

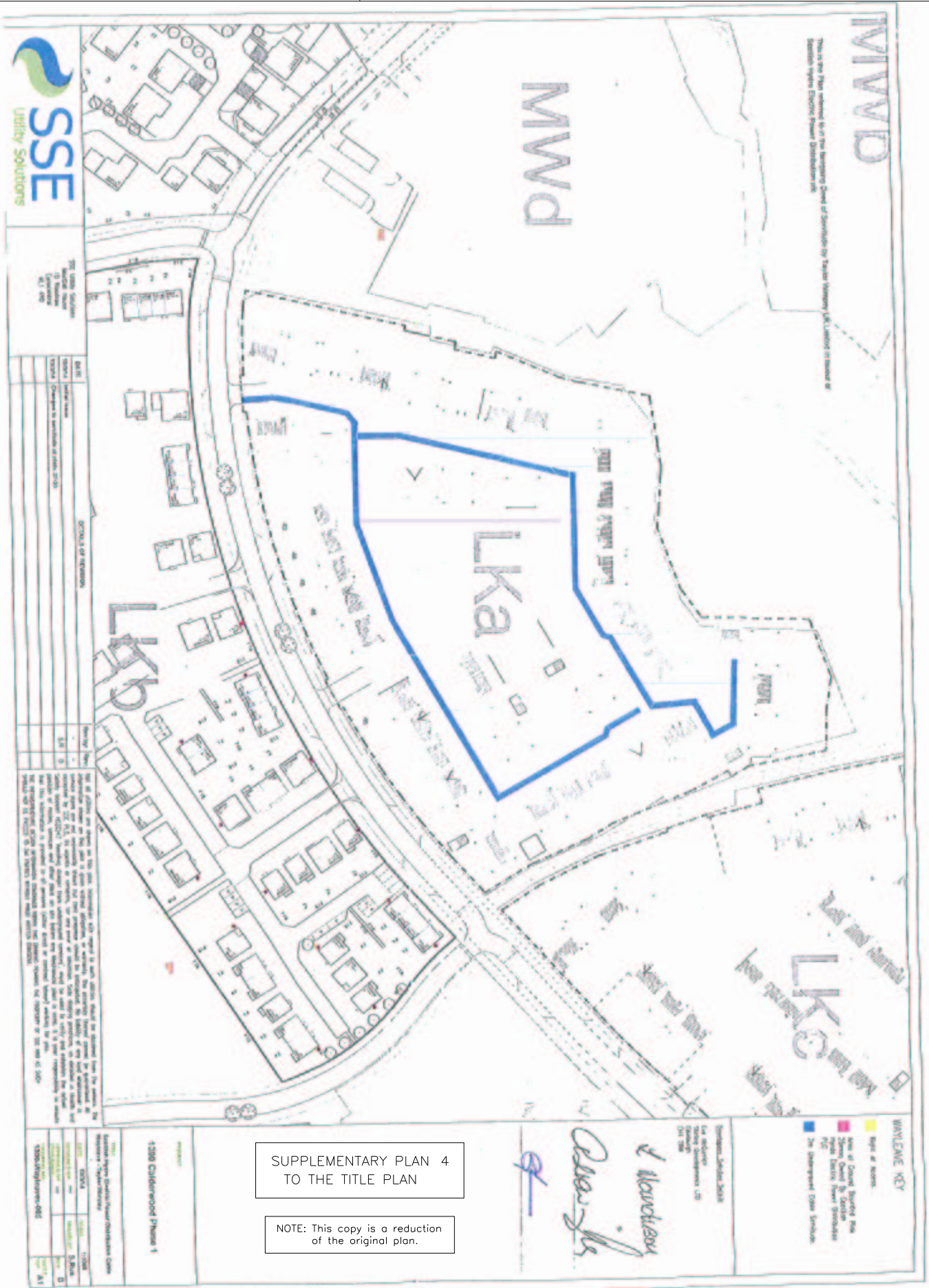
LAND REGISTER
OF SCOTLAND

Officer's ID/Date

4780
20/4/2017

Title Number

MID166154



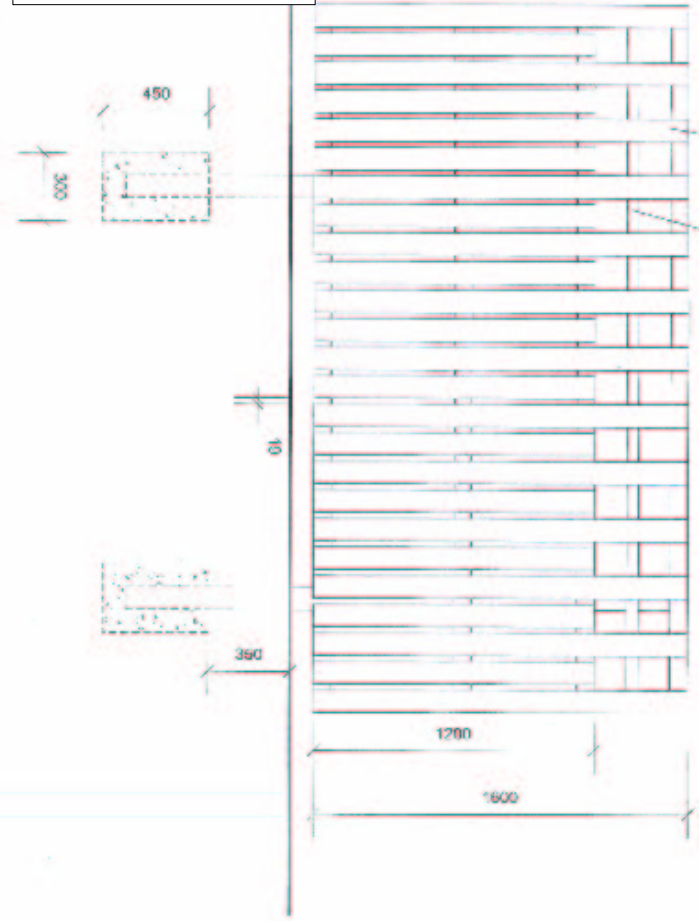
SUPPLEMENTARY PLAN 1
TO THE TITLE PLAN

NOTE: This copy is a reduction
of the original plan.

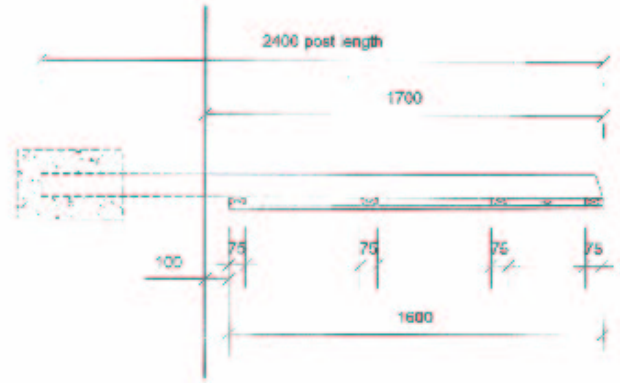
PLAN



ELEVATION



SECTION



Timber posts and rails to be 50% grade whitewood graded to B.S. 4978.
All timber to be sawn and pressure treated. No additional colour or stain to be applied.
Rails fixed to posts with 20x 75mm galvanised annular ring nails or galvanised screws.
Board fixed to each rail with 2 no. 50mm galvanised annular ring nails or galvanised screws.

This is Plan 2 referred to in the foregoing deed of conditions by the Planning (F&R) Team Wilson & Co Ltd, 1500 North Road, South Shields, Tyne and Wear, NE33 1JH and (Access) Sisking Property Partnership Ltd



STURTEWANT
PROPERTY SERVICES
2111111111
100
84396

WOODWORK
CASH/STOCK
Fence slats

100
84396

LAND REGISTER
OF SCOTLAND

Officer's ID/Date

4780
20/4/2017

Title Number

MID166154



SUPPLEMENTARY PLAN 3
TO THE TITLE PLAN

NOTE: This copy is a reduction
of the original plan.

PLAN
 1:5000
 2017

REGISTERED
 TITLE
 1979/2017
 166154
 2017/04/20

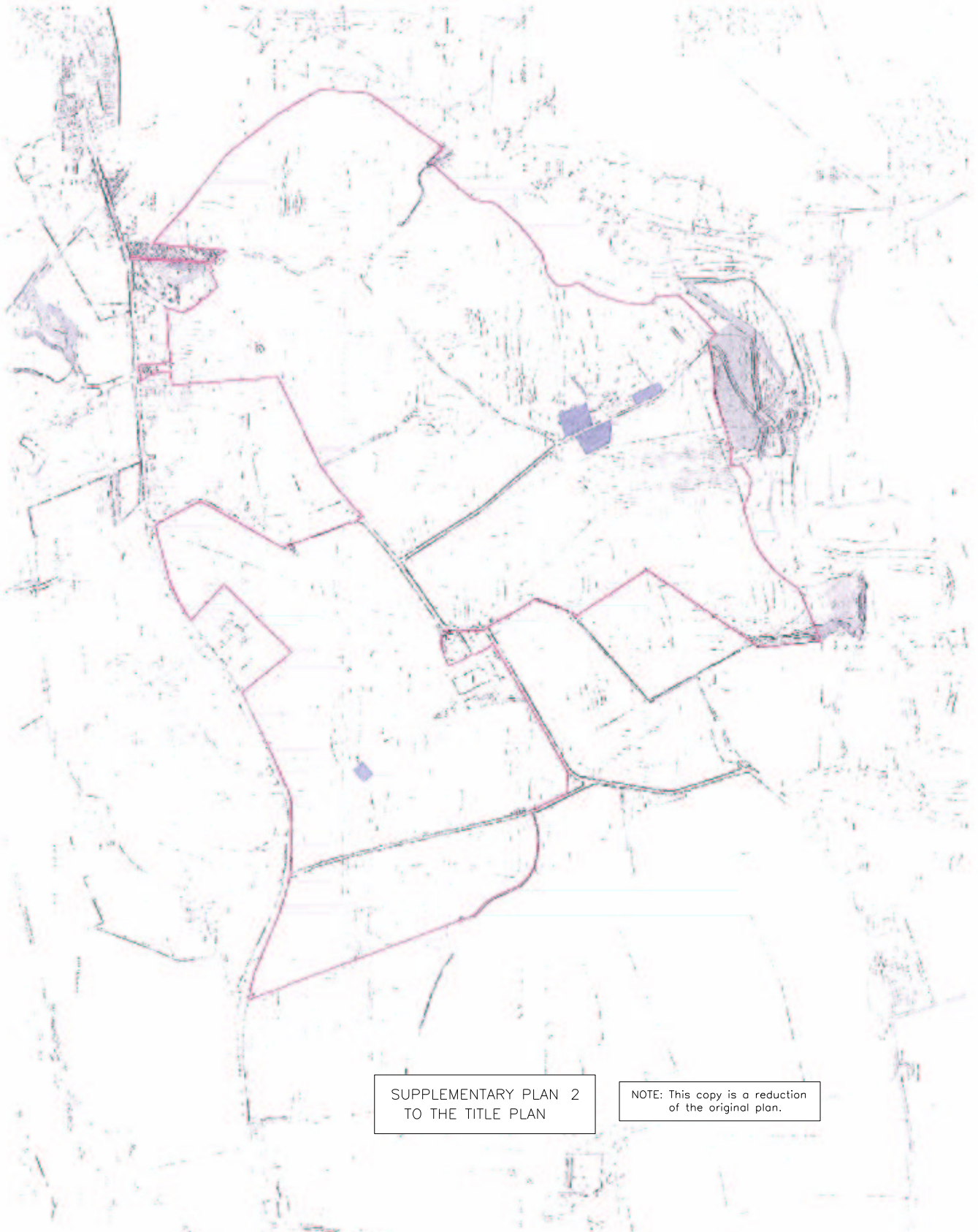
1:5000
 2017

This Plan is a copy of the original plan as shown to the Registrar of Registers in Edinburgh on 20/04/2017.
 D. J. Stewart
 Registrar of Registers

1:5000
 2017

1:5000
 2017

LAND REGISTER OF SCOTLAND	Officer's ID/Date	Title Number
	4780 20/4/2017	MID166154



SUPPLEMENTARY PLAN 2
TO THE TITLE PLAN

NOTE: This copy is a reduction
of the original plan.

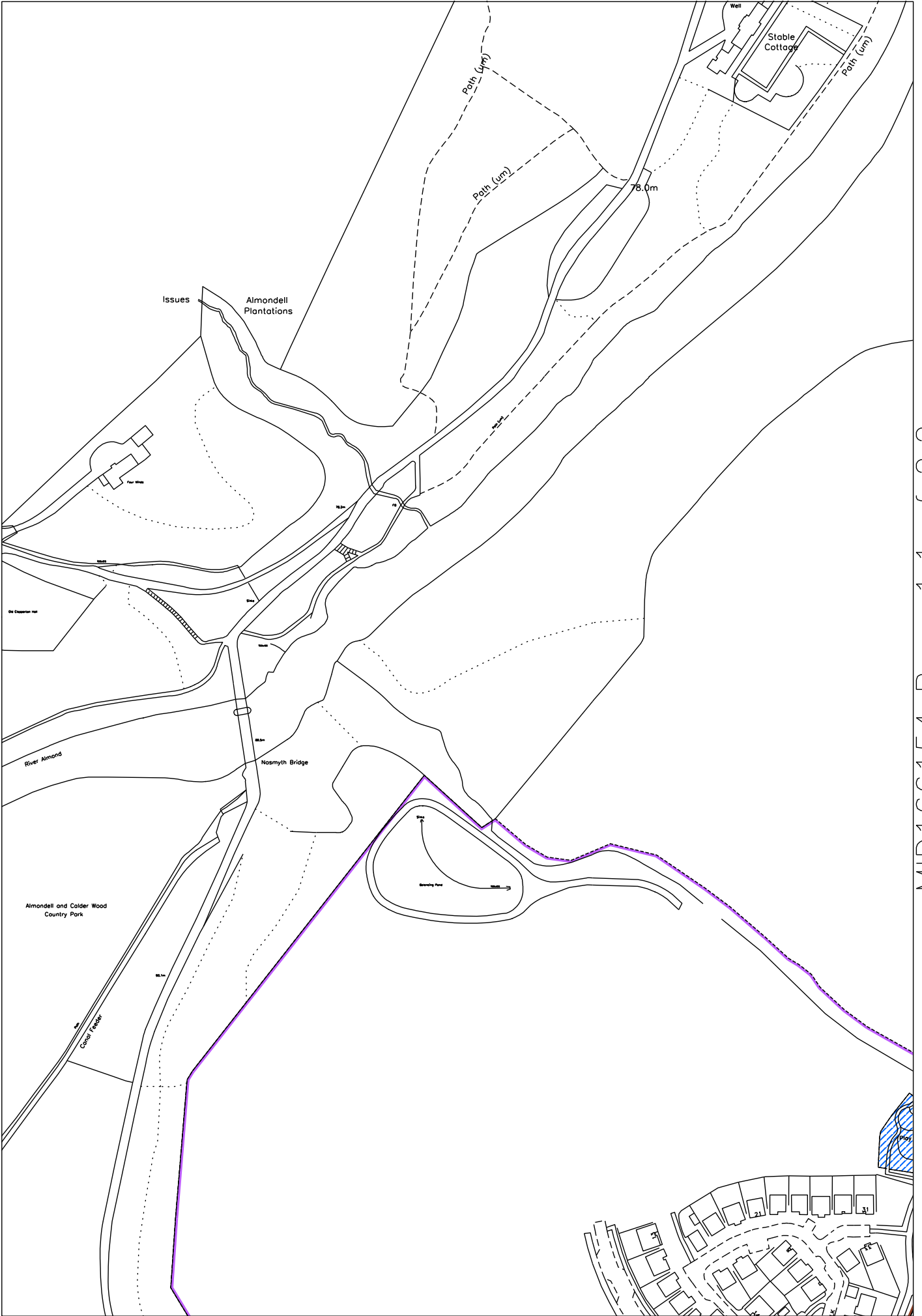
CAUTIONED
FOR SALE
REPRODUCED FROM
THE LAND REGISTER

Scale: 1:1000
Date of Issue: 20/04/2017

Author: [Signature]
Checked: [Signature]
Drawn: [Signature]
Scribble: [Signature]
Date of Issue: 20/04/2017

The HM Land Registry is the
Trading Name of the
Land Registry

REGISTERED PLANNING PERMISSION
REGISTERED PLANNING PERMISSION





LAND REGISTER
OF SCOTLAND

Officer's ID / Date

4780
20/4/2017

TITLE NUMBER

MID166154



ORDNANCE SURVEY
NATIONAL GRID REFERENCE

140m

NT0867NE NT0967NW NT0967NE NT0868SE

Survey Scale

1/2500

CROWN COPYRIGHT © – This copy has been produced from the ROS Digital Mapping System on 01/11/2021 with the authority of Ordnance Survey under Section 47 of the Copyright, Designs and Patents Act 1988. Unless there is a relevant exception to copyright, the copy must not be copied without the prior permission of the copyright owner. OS Licence no 100041182.

